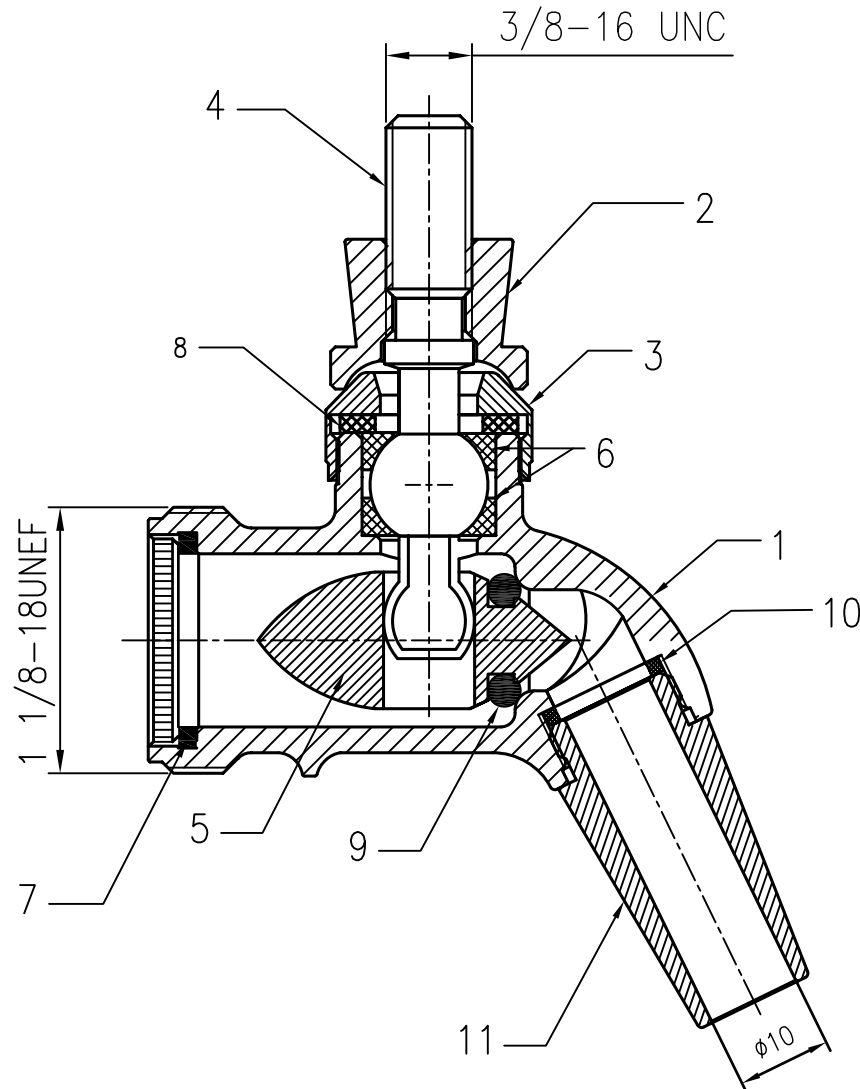


# INTERTAP - SS - G2

## Stainless Steel: #8022-G2



## Components

1. Tap Body
2. Tap Handle Collar
3. Tap Bonnet
4. Tap Leaver
5. Tap Shuttle
6. Ball Seals
7. Tap Coupling Washer
8. Bonnet Washer
9. Shuttle Seat O-Ring

10. Nozzle Washer
11. 10mm Standard Nozzle

REPLACEMENT SEAL KIT  
PART: #8480 (To suit tap models  
8022 & 8039)  
INCLUDES ABOVE PARTS:  
6, 7, 8, 9, 10



*Where Quality Beer Comes From*  
[www.INTERTAP.beer](http://www.INTERTAP.beer)

Distributed by:  
[www.KegLand.com.au](http://www.KegLand.com.au)  
[www.KegLand.cn](http://www.KegLand.cn)