

Crusteez

Super Crunch Pizza Oven

Instruction Manual



KegLand Distribution PTY LTD

www.KegLand.com.au

WARNINGS

1. Crusteez Super Crunch Pizza Oven is designed for outdoor use only. This pizza oven must only be used in an above ground open-air situation with natural ventilation and air flow. Keep away from structures and never operate inside a building, garage or in close proximity to an enclosed area.
2. Be aware of and comply with any local laws and regulations specifying a required distance between outdoor gas appliances and structures, or that may limit outdoor flame during hazard periods.
3. Always perform a gas leak test before operation.
4. Surfaces will be hot to touch when the Crusteez Super Crunch is in operation. DO NOT touch any metal/ceramic parts when your Electro Pizza Cooker is operating, only touch the handle to open the door and the fuel adjustment knob.
5. Take extreme caution when opening the lid of the Crusteez Super Crunch as built-up steam may be quickly released.
6. Install your Crusteez Super Crunch on a stable, level and non-flammable surface and keep it clear from flammable or combustible materials, and or other flammable liquids and vapours.
7. Improper installation, adjustment, alteration or maintenance of your Crusteez Super Crunch may cause injury or property damage. Do not use your Electro Pizza Cooker unless it is completely assembled and in good working condition.
8. Never leave your Crusteez Super Crunch unattended when in operation and be aware of hazards such as combustible material in close proximity.
9. The Crusteez Super Crunch is to be used by responsible and capable adults only. Keep children, pets and combustible items away from your Electro Pizza Cooker and cords at all times.
10. Allow a minimum of 2 hours for the Crusteez Super Crunch to cool before covering for storage. DO NOT cover the Crusteez Super Crunch immediately after it has been used. Make sure all fire and glowing embers have disappeared before storing.

11. Your Crusteez Super Crunch should be inspected on a regular basis. It is the user's responsibility to maintain the safe operation of the Crusteez Super Crunch and to exercise reasonable care at all times.

WARNING! Do not use the Crusteez Super Crunch in a confined and/or habitable space e.g. houses, garages, tents, caravans, motor homes, boats etc. Danger of fatality due to carbon monoxide poisoning.



WARNING! Hot Surface. The Crusteez Super Crunch will become very hot. Do not move it during operation

WARNING! Keep children, pets and combustible material away.

WARNING! Do not use spirit or petrol for lighting or re-lighting.

Important

When using gas appliances, basic safety precautions should always be followed. Please read and understand all instructions before operating this pizza oven and do not use the appliance for anything other than the intended use described in this document.

Please Do

- Use a spanner to tighten all gas fittings.
- Check all gas hose and line connections for damage, cuts or cracks each time before using the appliance.
- Always leak test with soapy water when connecting a new/refilled gas cylinder.
- Check all burners regularly for insect webs / nets such as spiders, ants etc. Presence of webs or nets is dangerous and must be fully cleaned before operation.

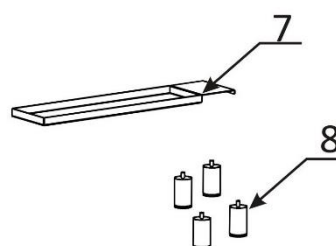
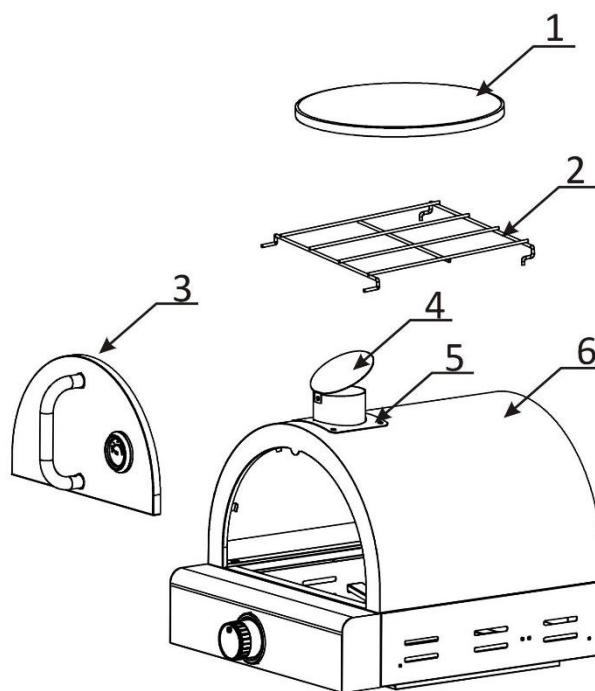
- Only use an approved, Australian certified gas cylinder which has been filled by an authorised gas supplier.
- Always wear protective glove when handling hot components.
- Clean and maintain the appliance after each use.
- Keep the appliance at least 1.5m away from any wall or surface, combustible material, gasoline, flammable liquids or vapours.
- “Burning off” the appliance after every use (for approximately 15 minutes) will keep excessive food residue to a minimum and keep the ceramic pizza stone clean.

Please Do NOT

- Lean over the appliance when lighting
- Store combustible material, gasoline or flammable liquids/vapours within the vicinity of the appliance
- Use the appliance with any cover on.
- Use plastic or glass utensils.
- Use the appliance in strong winds.
- Dismantle control valves.
- Test for gas leaks with a naked flame.
- Lay the gas cylinder down (always keep it upright).
- Use appliance in an enclosed space.
- Modify the appliance or the size of any burner, injector orifice or any other components.
- Move the appliance during use.
- Obstruct ventilation of the appliance.
- Allow the flexible gas supply hose to come into contact with any heated surface of the appliance.
- Use charcoal or any other solid fuel in this appliance.
- Disconnect any gas fittings while the appliance is in use.
- Use a rusty, dented or gas cylinder in poor condition or with a damaged valve.
- Fill the gas cylinder beyond 80% capacity.

Parts List

No.	Description	Qty
1	Ceramic Pizza Stone	1
2	Pizza Stone Mounting Grid	1
3	Front Door	1
4	Chimney Cap	1
5	Chimney	1
6	Main Body	1
7	Grease Tray	1
8	Feet	4

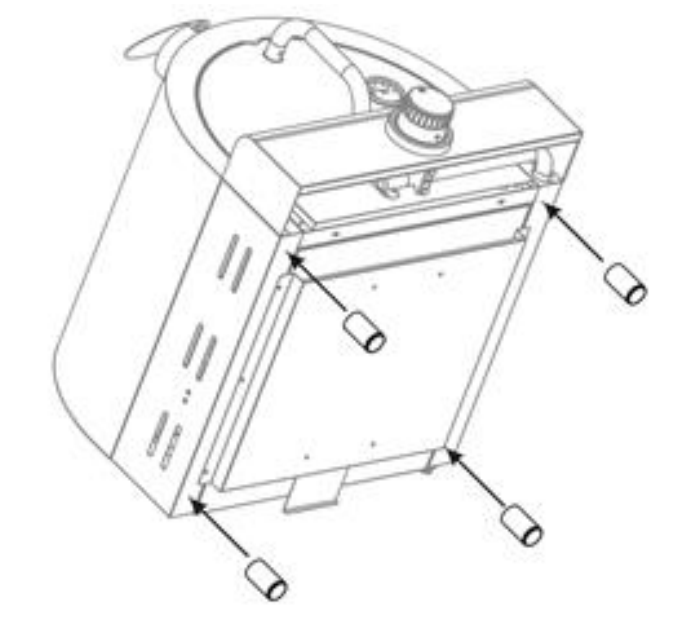


Assembly

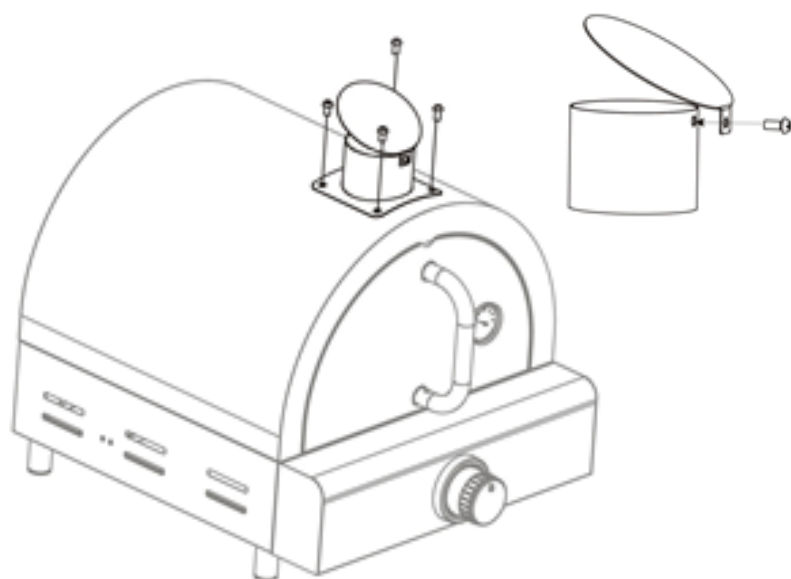
Tools Required

Phillips Head Screwdriver (not included)

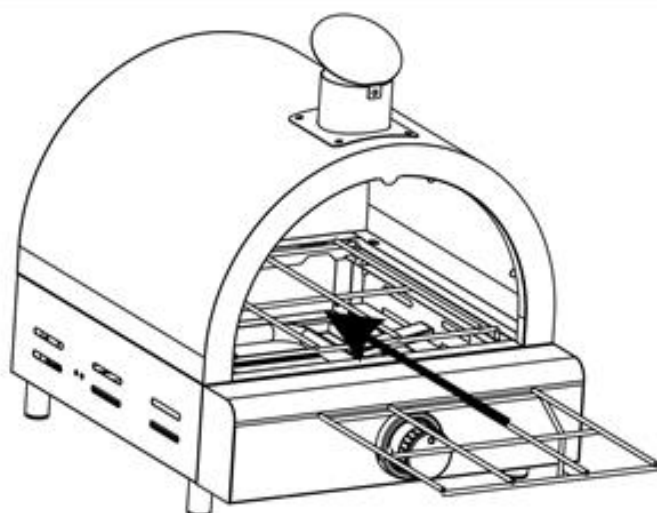
1. Leg Assembly



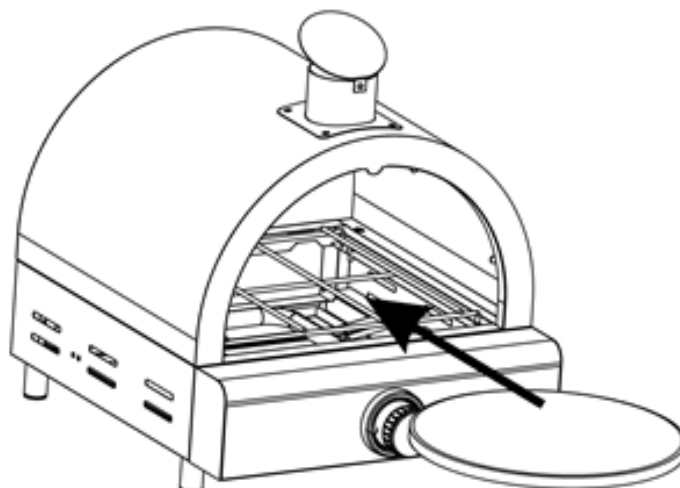
2. Chimney Assembly



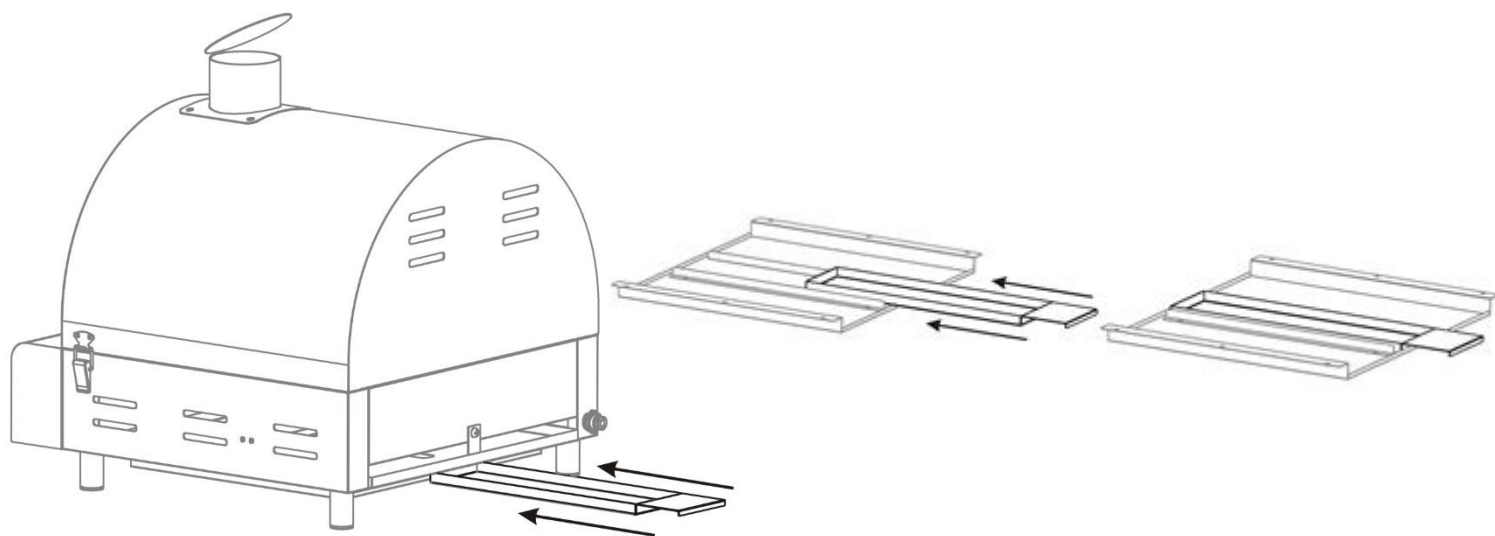
3. Pizza Grid Assembly



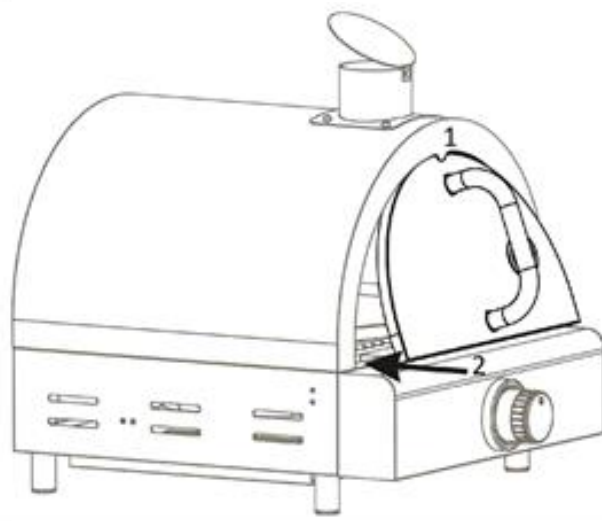
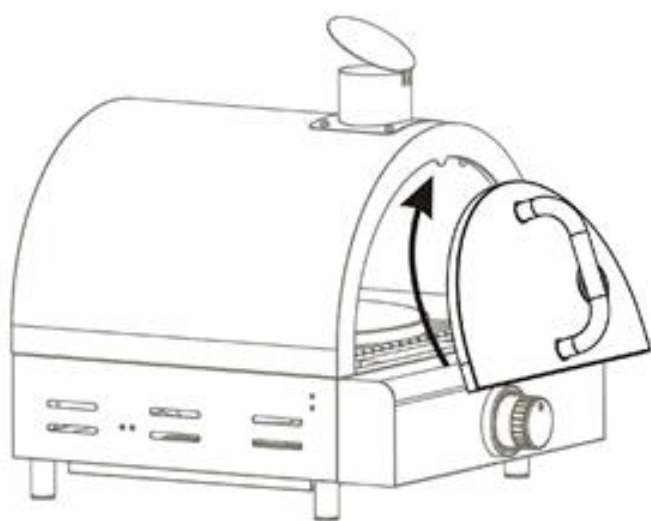
4. Pizza Stone Assembly



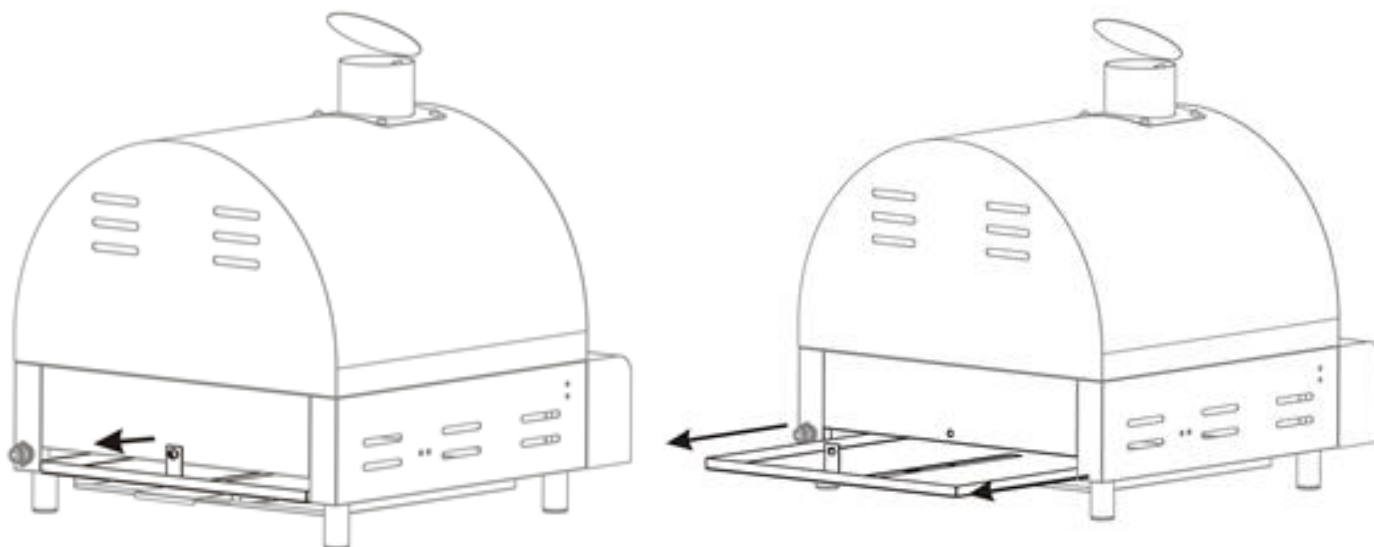
5. Grease Pan Assembly



6. Door Assembly

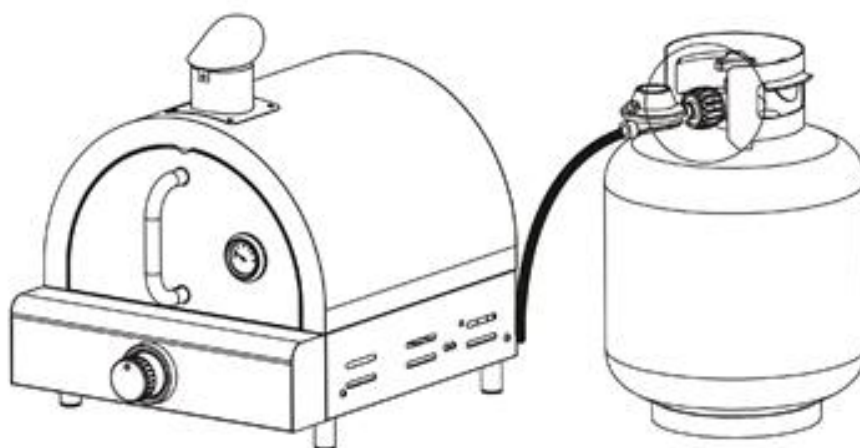


Ash Collection Tray Removal



Gas Cylinder Connection

IMPORTANT: Carefully read the gas cylinder safety information and Gas leak test procedure before connecting your gas cylinder to your Crusteez Super Crunch Pizza Oven. This is for your own safety!



Gas Cylinder Safety Information

- This appliance is designed to be used with an in-stamp date LPG cylinder which meets Australian Standards and does not exceed 9Kg
- This gas cylinder must incorporate a safety collar to protect the valve assembly.

- The gas cylinder supply valve must be turned off when the appliance is not in use
- Gas cylinders must be stored outdoors, out of reach of children and must not be stored in a building, garage or any other enclosed area.

When disconnecting and removing the gas cylinder for the purpose of refilling, always observe the following procedure:

- Ensure the gas control valve on the appliance and the gas cylinder are turned off before disconnecting the regulator from the cylinder.
- Do not smoke or use a naked flame near the appliance or gas cylinder while disconnecting the gas line between the appliance and the gas cylinder.
- Ensure you gas cylinder and appliance are in an open-air, outdoor setting before disconnecting the regulator from the appliance or gas cylinder.
- Tighten all connections before storing your gas cylinder away after use.

The gas leak procedure described below should be conducted every time the gas cylinder is refilled and reconnected to the appliance before using the appliance.

Gas Leak Test Procedure

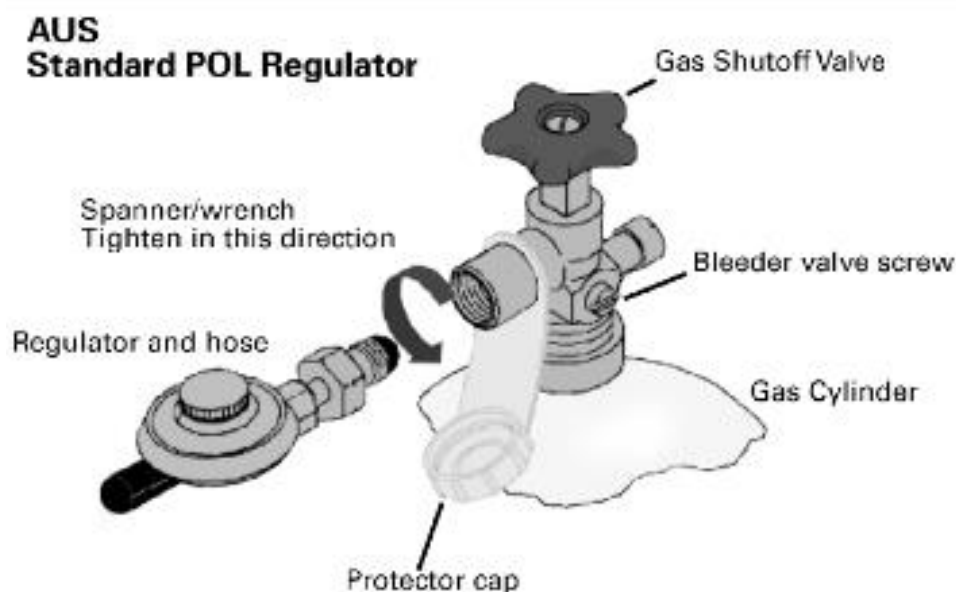
Before conduction a gas leak test procedure:

1. ensure the control valve on the appliance is in the 'Off' position.
2. Make sure the cylinder valve is off.
3. Remove the protective cap from the cylinder if present.

Never use a naked flame to check for gas leaks. Always use the following procedure:

1. In small container mix up a solution of water and detergent or soap.
2. Turn the gas control valve on the appliance off.
3. Turn the gas supply valve on the gas cylinder on.
4. Using a brush or spray bottle apply the soapy water solution to the gas line and each connection/join in the gas line.
5. Look for the formation of bubbles indicating that a leak is present.
6. Re-tighten or re-seal any connection or joints that are leaking.

7. If a leak persists then contact your nearest distributor/retailer for assistance.



Connecting Gas to the Appliance

Before connecting, please ensure there is no debris caught in the head of the gas cylinder, regulator, burner or burner parts. Remove the protector cap on the gas cylinder.

Ensure the gas control valve on the appliance is off.

Tightly screw the regulator onto the cylinder valve using a spanner and then perform a gas leak test.

Lighting the pizza oven

1. Open the door of the Crusteez Super Crunch Pizza Oven and ensure the adjustment knob is in the OFF position.
2. Turn the cylinder valve on.
3. Push the adjustment knob in and turn the knob to the HIGH position. Keep pushing down on the knob until lit and then keep pushing down for another 10 seconds once lit until the flame is stable. If the burner does not light then turn the adjustment knob off and wait for at least 30 seconds before trying to light the pizza oven again.
4. Adjust the heat by turning the adjustment knob to the high/low position
5. To turn the pizza oven OFF, turn off the cylinder valve first then turn the adjustment knob anticlockwise to the OFF position.

Lighting with a Match

1. Open the door and make sure the adjustment knob is in the OFF position
2. Place a match into the match holder chain and light the match. Then put the match into the burner and push down on the adjustment knob and rotate anticlockwise to HIGH.

Cleaning and Maintenance

Any cleaning or maintenance should be carried out once the pizza oven is completely cool and the gas cylinder valve is turned OFF.

Cleaning plastic components

Wash with warm soapy water and air dry

Cleaning stainless steel surfaces

Stainless steel will rust if it is not maintained well. Wash with mild detergent and warm soapy water and wipe dry with a soft non-abrasive cloth after each use. To avoid rust use stainless steel protection like WD-40 on stainless steel surfaces.

Cleaning Pizza Stone Mounting Grid

Use a mild soapy water solution. A non-abrasive scourer can be used on stubborn stains and then rinsed.

Pizza Stone Cleaning and Care

Ceramic pizza oven stones are largely self-cleaning. To clean the stone, never use cooking oil, water or any detergents. Scrape off any excess food with a spatula or a stiff bristles brush and wipe clean with paper towel or a clean dishcloth. You can also run the oven at full power for 30 minutes to burn off any food residue. Don't worry if it is still dirty after this cleaning regime, this blackness is more flavour for future pizzas.

CAUTION

1. Avoid extreme temperature change to the stone. DO NOT Place frozen foods on a hot stone.
2. The stone is fragile and can break if bumped or dropped.
3. The stone will retain heat after cooking so please wait until it is fully cool before handling and cleaning.
4. Do not cool the pizza stone using water when the pizza stone is hot
5. Avoid extreme temperature change to the stone. DO NOT Place frozen foods on a hot stone.
6. The stone is fragile and can break if bumped or dropped.
7. The stone will retain heat after cooking so please wait until it is fully cool before handling and cleaning.
8. Do not cool the pizza stone using water when the pizza stone is hot

Cleaning the burner assembly

1. Turn the gas control valve and cylinder valve off.
2. Remove ceramic pizza stone, pizza stone mounting grid and grease tray.
3. Remove the screw at the end of the burner using a screwdriver.
4. Carefully lift each burner up and away from the valve openings.
5. Remove food residue and dirt from the entire outer surface of the burner using a wire brush.
6. Clean any blocked ports with a stiff wire such as an open paper clip.
7. Check the burner for damage. Due to normal wear and corrosion some holes may become enlarged. If any large cracks or holes are found then replace the burner.
8. Carefully refit burner.
9. Replace screw at the end of the burner.
10. Replace the grease tray, pizza stone mounting grid and ceramic pizza stone.

Three suggested methods for cleaning the burner tubes are as follows:

- a) Bend a wire such as an open paper clip or light weight metal coat hanger into a small hook and run the hook through each burner tube and burner several times.
- b) Use a narrow bottle brush (do not use a brass wire brush). Run the brush through each burner tube and burner several times.
- c) While wearing eye protection, use an air hose to force air into the burner tube and out the air ports. Check each port to make sure air comes out each hole.

CAUTION

Spiders and other insects can climb into the burner tubes and spin a web, build a nest or lay eggs in the burner. These webs or nests can be very small, but strong enough to block the flow gas.

Clean burners prior to use after storage or after a period of one month of not being used.

An obstruction can result in a flashback (a fire in the burner tubes), so regular cleaning and maintenance of the burner tubes is essential.

Abnormal Operation

Any of the following are considered to be abnormal operation and may require servicing:

- Yellow tips on the flames
- Burners not igniting properly
- Burners failing to remain alight
- Gas valves which are difficult to turn
- Burner extinguished when the door is closed.



Warranty and Support

The Crusteez Electro Pizza Cooker comes with a 12-month Warranty when sold in Australia.

To lodge a warranty claim in Australia please forward as many visual pieces of supporting information and a detailed description of your issue to beer@kegland.com.au

If you purchased your unit from an international distributor, you will be required to go through their warranty claims process.

For full terms and conditions, please visit our website here -> [Terms & Conditions](#)