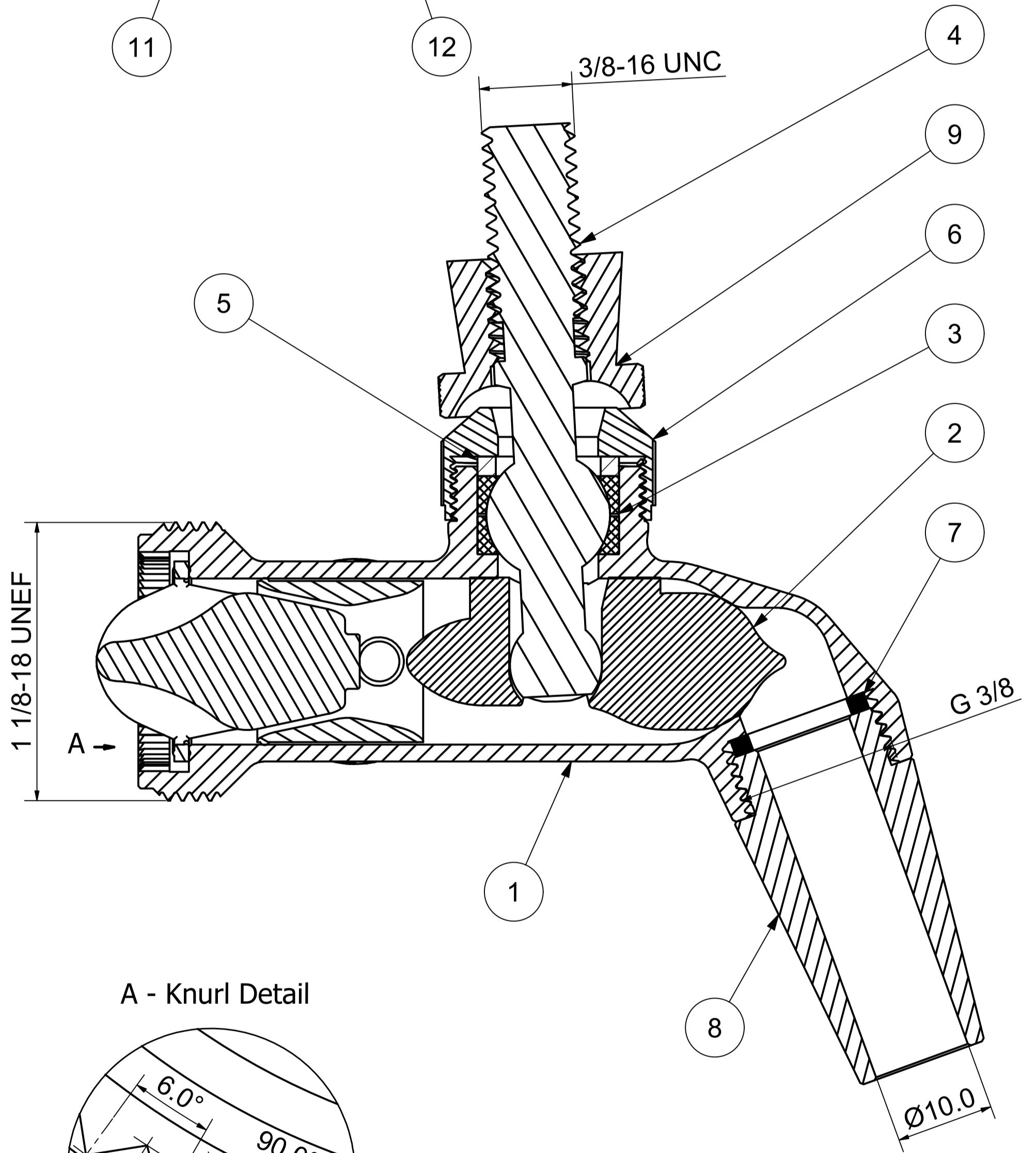
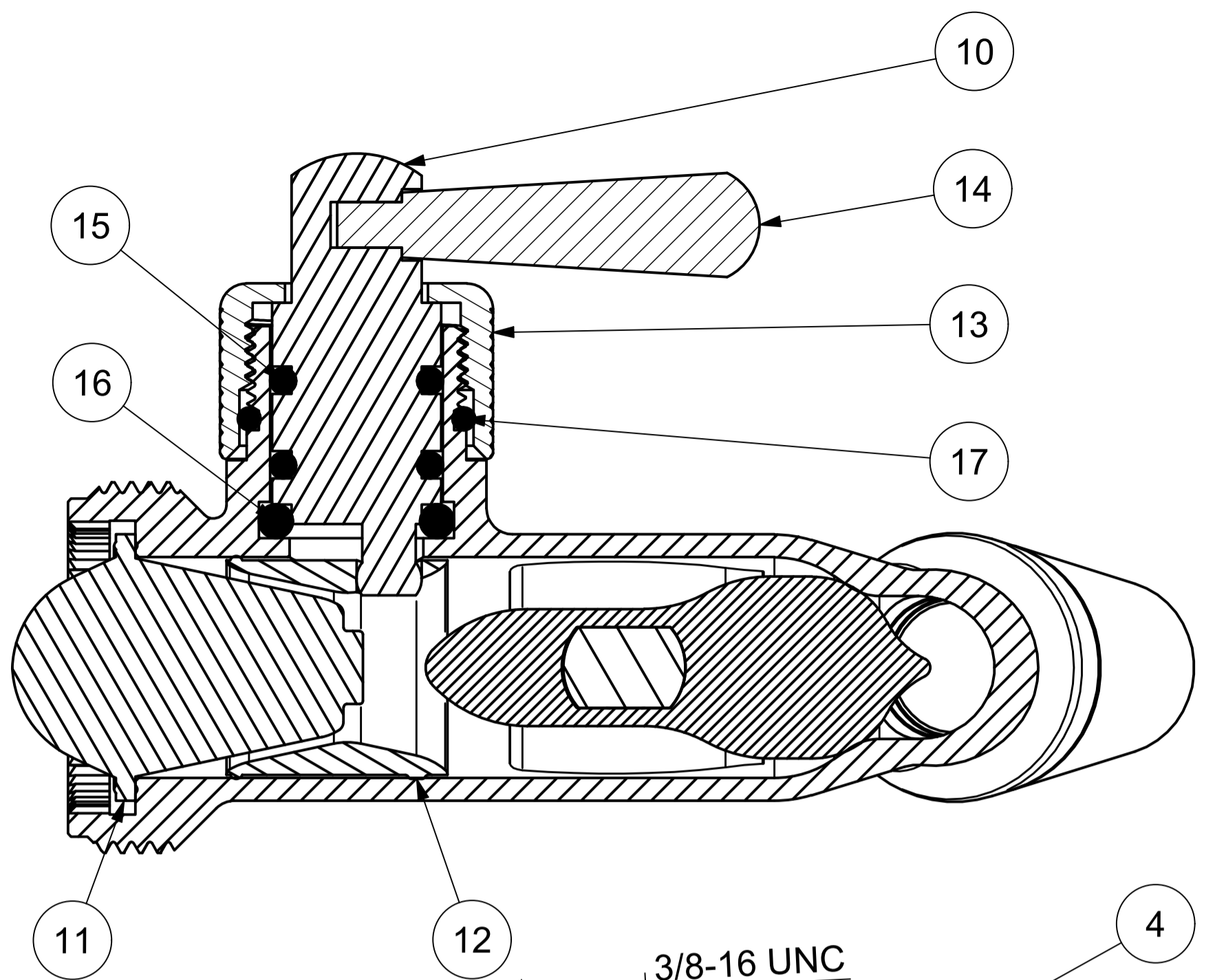
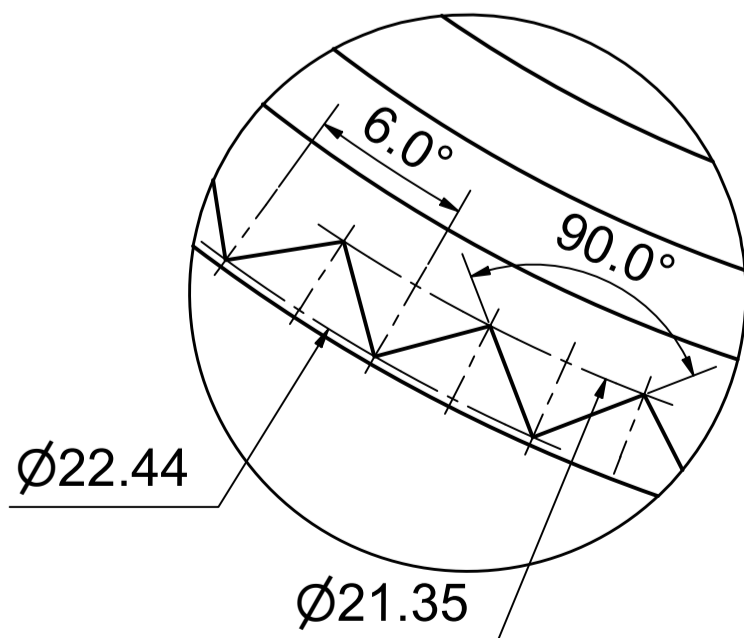


PARTS LIST		
ITEM	QTY	DESCRIPTION
1	1	NukaTap Body
2	1	NukaTap Shuttle
3	2	Ball Seal
4	1	Lever
5	1	Bonnet Cushion
6	1	Bonnet
7	1	Nozzle Washer
8	1	10mm Standard Nozzle
9	1	Handle Collar
10	1	Detent Actuator Shaft
11	1	Shank Seal / Restrictor
12	1	Flow Slider
13	1	Flow Bonnet
14	1	Flow Control Handle
15	2	Shaft Seals
16	1	Shaft Cushion
17	1	Flow Bonnet Damper



A - Knurl Detail



PROJECTION:	UNLESS OTHERWISE STATED ALL DIMENSIONS IN MILLIMETRES	MATERIAL:	FINISH:
	UNSPECIFIED TOLERANCES	PART NUMBER: <b>KLTAFC_A001</b>	
	LINEAR 0 = ± 1.0 0.0 = ± 0.2 0.00 = ± 0.05 0.000 = ± 0.01	ANGULAR 0 = ± 2.0° 0.0 = ± 0.5°	
	MACHINED SURFACE		
www.KegLand.com.au			